

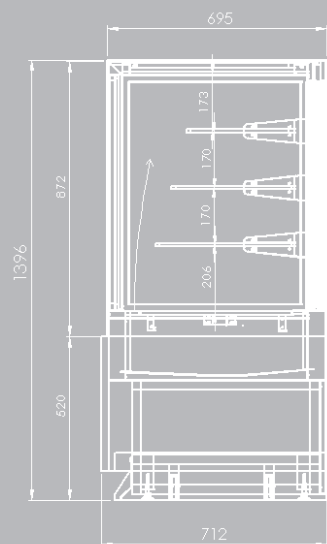


**GELATEC**

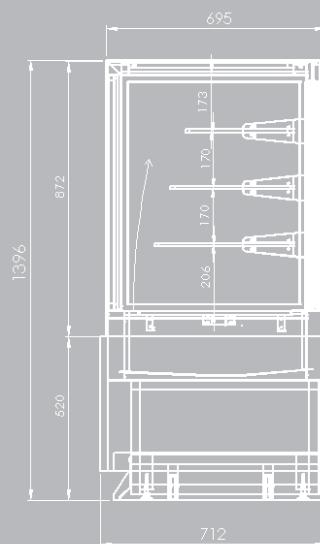
**# LUDUS**

**LUDUS** DISPLAY LINE IS MANUFACTURED TO THE FOLLOWING VERSIONS:

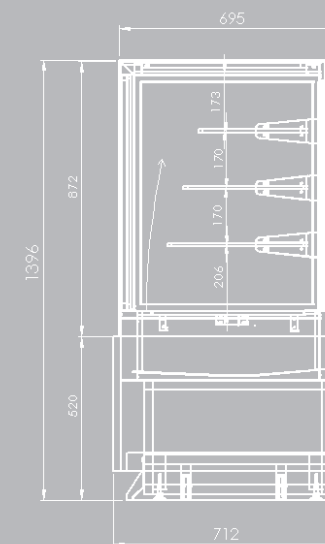
1. VENTILATED COLD



2. LOW TEMPERATURE



3. VENTILATED HOT



**PERFORMANCE**

FUNCTIONING TEMPERATURE	+ 2
PRODUCT CONSERVATION TEMPERATURE	+ 4
CLIMATIC CLASS	+ 4
COMPRESSOR TYPE	HERMETIC
DEFROST	AUTOMATIC
REFRIGERANT GAS	R404A
ELECTRIC POWER V/PH/Hz	230/1/50

**PERFORMANCE**

FUNCTIONING TEMPERATURE	- 20
PRODUCT CONSERVATION TEMPERATURE	- 18
CLIMATIC CLASS	+ 4
COMPRESSOR TYPE	HERMETIC
DEFROST	REVERSE CYCLE
REFRIGERANT GAS	R404A
ELECTRIC POWER SUPPLY V/PH/Hz	400/3/50

**PERFORMANCE**

FUNCTIONING TEMPERATURE	+ 70
PRODUCT CONSERVATION TEMPERATURE	+ 65
ELECTRICAL POWER SUPPLY V/PH/Hz	230/1/50







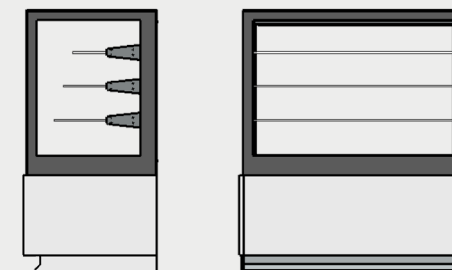
## 1. VENTILATED COLD

L 1000	
H	1400
W	800
KG	90

L 1250	
H	1400
W	900
KG	110

L 1500	
H	1400
W	1000
KG	130

L 1750	
H	1400
W	1300
KG	150

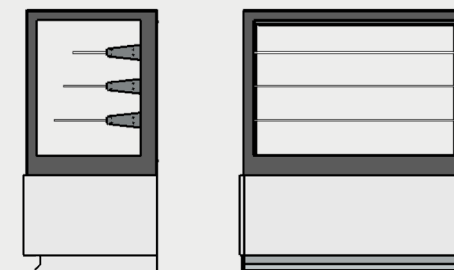


- THE SHOWCASE'S BODY IS MADE BY STAINLESS STEEL AISI 304 INSULATED WITH ECOLOGICAL POLYURETHANE WITH DENSITY 42KG/M3.
- THE SYSTEM IS CONTROLLED BY ELECTRONIC THERMOSTAT WITH INSULATION INDEX IP65 AND LED DISPLAY.
- THE EVAPORATOR HAS BEEN TREATED WITH A SPECIAL ANTITOXIC PIGMENT IN ORDER TO AVOID THE TRANSMISSION OF TOXICITY TO THE PRODUCTS.
- THE LIGHTING SYSTEM IS T8 LED LAMPS TO PREVENT OVERHEATING IN THE REFRIGERATED SPACE.
- THE SHOWCASE IS EQUIPPED WITH DOUBLE GLASSES IN ALL SIDES AND ON TOP TO AVOID HUMIDITY CONDENSING ISSUES.
- DOUBLE GLASSES SLIDING DOORS IN THE BACK COMPLETE THIS DISPLAY FOR EASY AND QUICK ACCESS BY THE USER.

## 2. LOW TEMPERATURE

L 1100	
H	1400
W	1000
KG	96

L 1600	
H	1400
W	1500
KG	150



- THE SHOWCASE'S BODY IS MADE BY STAINLESS STEEL AISI 304 INSULATED WITH ECOLOGICAL POLYURETHANE WITH DENSITY 42KG/M3.
- THE SYSTEM IS CONTROLLED BY ELECTRONIC THERMOSTAT WITH INSULATION INDEX IP65 AND LED DISPLAY.
- THE EVAPORATOR HAS BEEN TREATED WITH A SPECIAL ANTITOXIC PIGMENT IN ORDER TO AVOID THE TRANSMISSION OF TOXICITY TO THE PRODUCTS.
- THE LIGHTING SYSTEM IS T8 LED LAMPS TO PREVENT OVERHEATING IN THE REFRIGERATED SPACE.
- THE SHOWCASE IS EQUIPPED WITH DOUBLE GLASSES IN ALL SIDES AND ON TOP TO AVOID HUMIDITY CONDENSING ISSUES.
- DOUBLE GLASSES OPENING DOORS IN THE BACK COMPLETE THIS DISPLAY FOR EASY AND QUICK ACCESS BY THE USER.

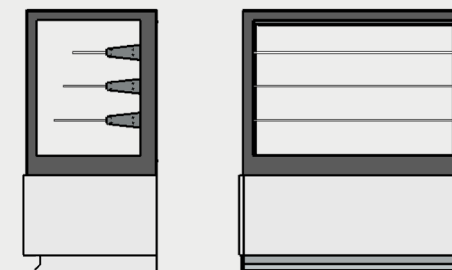
### 3. VENTILATED HOT

L 1000	
H	1400
W	1200
KG	85

L 1250	
H	1400
W	2200
KG	110

L 1500	
H	1400
W	2500
KG	170

L 1750	
H	1400
W	2500
KG	200

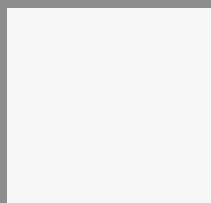


- THE SHOWCASE'S BODY IS MADE BY STAINLESS STEEL AISI 304 INSULATED WITH SPECIFIC HIGH QUALITY STANDARDS MATERIALS.
- THE HEATING ELEMENTS ARE CHOSEN FOLLOWING THE MOST SEVERE EUROPEAN SPECIFICATIONS IN ORDER TO ENSURE HIGH PERFORMANCES AND LONG TERM DURATION.
- ALL THE DISPLAYS ARE EQUIPPED WITH SAFETY THERMAL FUSE TO AVOID DANGERS LIKELY PROVOKED BY A MATERIAL FAILURE OR A BAD USE.
- THE LIGHTING SYSTEM IS LED STRIP 14,4W/M/24V OR T8 LED LAMPS.
- THE GLASSES ARE TEMPERED AND EXTRA CLEAR IN ALL THE VERSIONS (EXCEPT WHERE IT IS STRUCTURALLY IMPOSSIBLE).
- DOUBLE GLASSES SLIDING DOORS IN THE BACK COMPLETE THIS DISPLAY FOR EASY AND QUICK ACCESS BY THE USER.





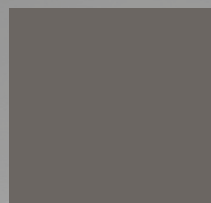
COATING



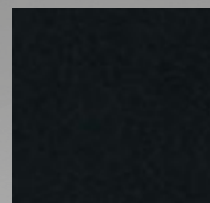
GC 001



GC 003



GC 011



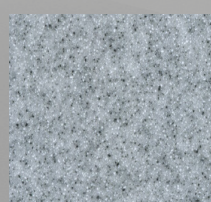
GC 016



GC 017



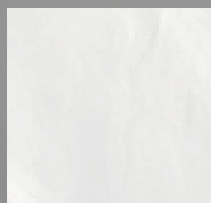
GC 019



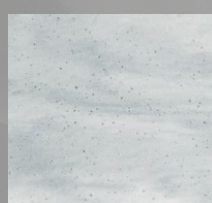
GC 025



GC 028



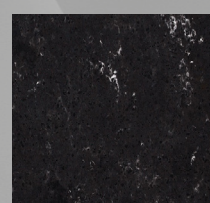
GC 039



GC 050



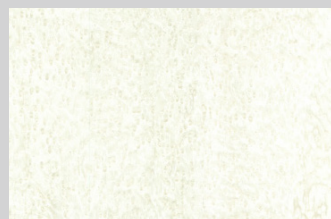
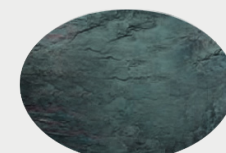
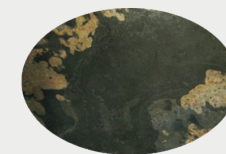
GC 056



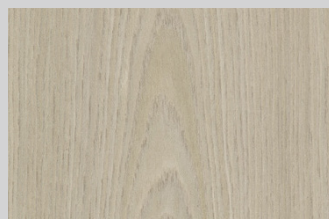
GC 054

ACRYLIC STONE

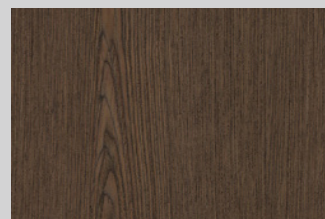
STONE VENEER



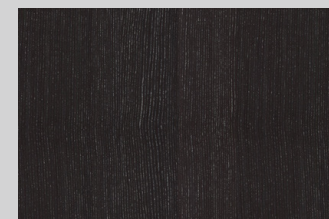
GV 083



GV 067



GV 018



GV 039

VENEER



HIGHEST STANDARD MATERIALS ,  
COMPONENTS AND DESIGN . . .



. . . GIVE LIFE TO NEXT GENERATION  
DISPLAYS OF GELATEC.